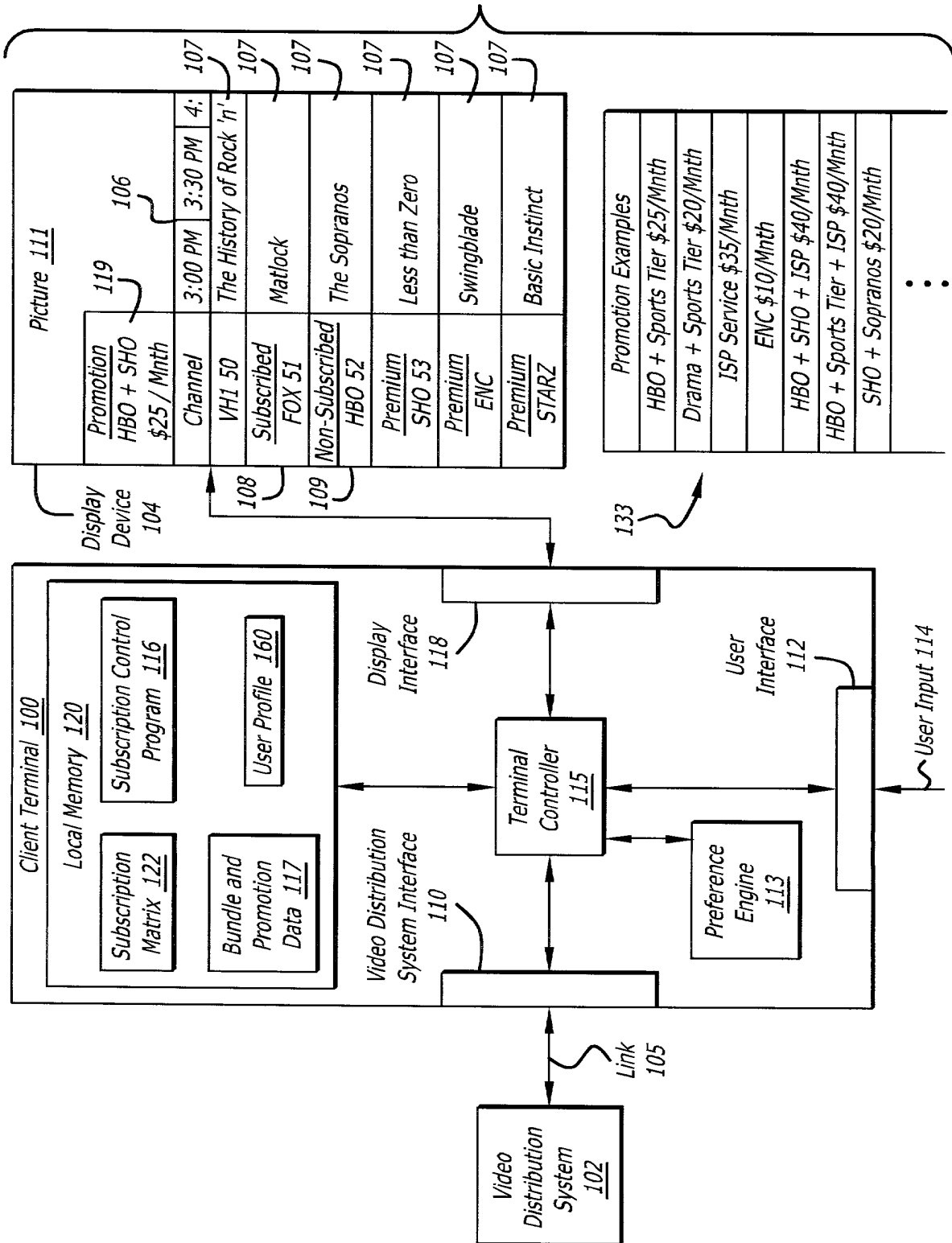


20070707 "ERSON" 660

FIG. 1



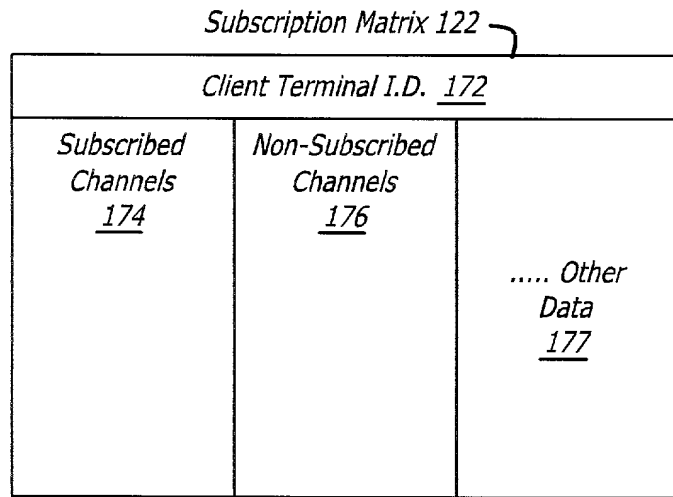


FIG. 2

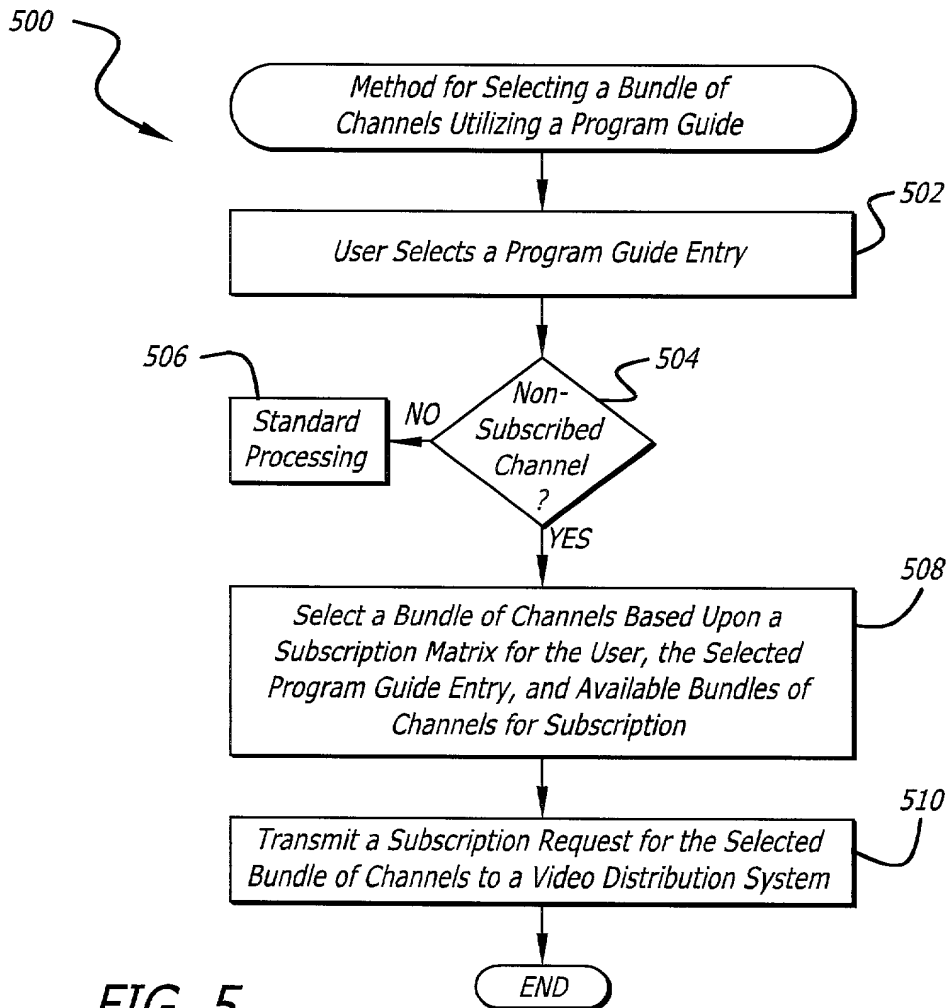


FIG. 5

2025 RELEASE UNDER E.O. 14176

20090707 16:30:00

BUNDLING EXAMPLE

HBO A la Carte \$15/Mnth	1	2	3
SHO A la Carte \$15/Mnth	1		3
ENC A la Carte \$15/Mnth		2	3
STARZ A la Carte \$15/Mnth		2	3

	Additional Subscription Programs	ISP Service	Action, Sports, Drama, etc. Tiers	Other Services
Bundle 1 = \$25/Mnth	+ \$7 each/Mnth	+ \$35 each/Mnth	+ \$15 each/Mnth	• • •
Bundle 2 = \$30/Mnth	+ \$5 each/Mnth	+ \$25 each/Mnth	+ \$10 each/Mnth	• • •
Bundle 3 = \$32/Mnth	+ \$3 each/Mnth	+ \$15 each/Mnth	+ \$5 each/Mnth	• • •

FIG. 3

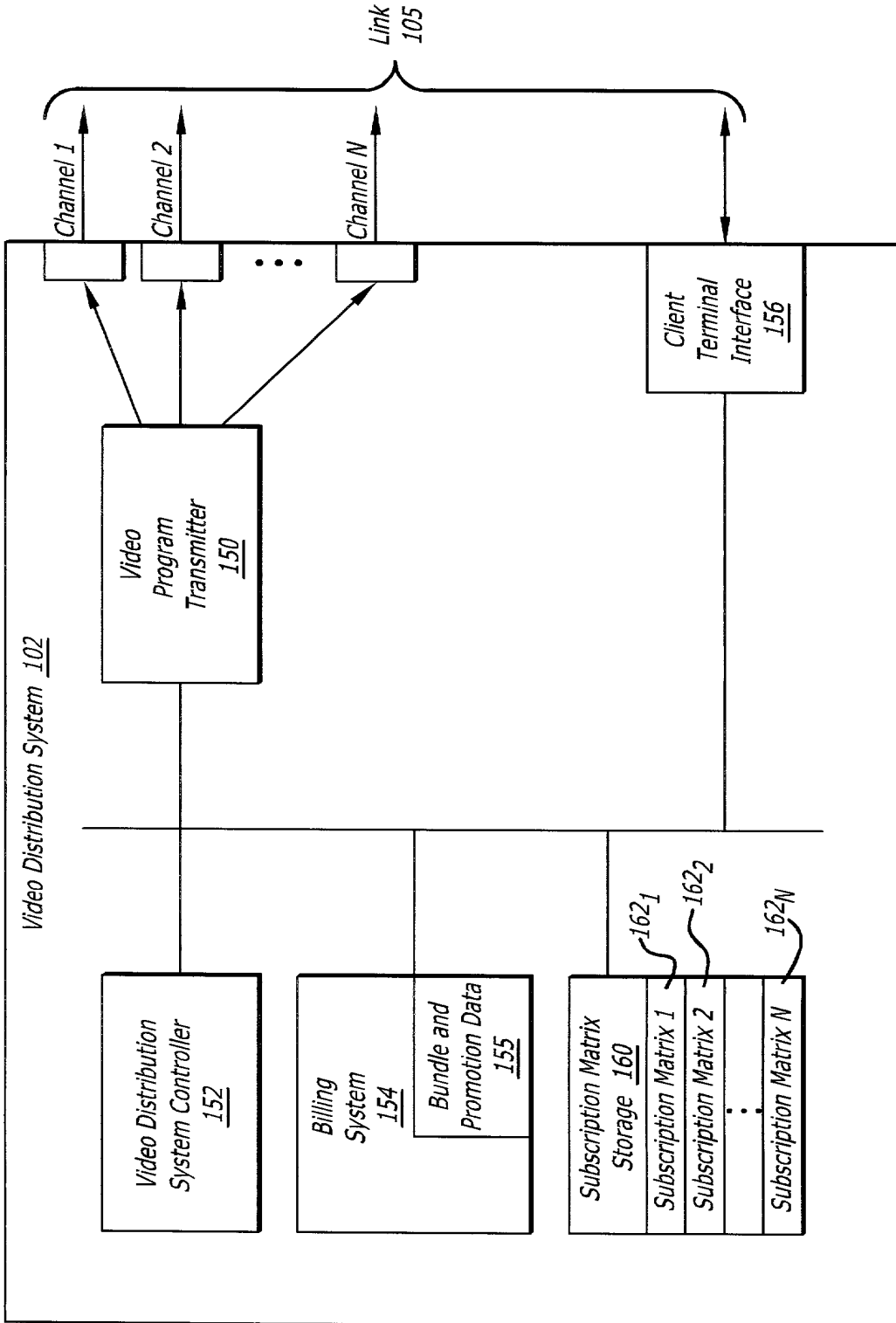


FIG. 4

20250108 08502650

2020795-00000000

